



Fax +1 305 430 9692

Copies of the I/B. Please reproduce them without any changes except under special instruction from Team International USA. The pages must be reproduced and folded in order to obtain a booklet A5 (+/- 148.5 mm width x 210 mm height). When folding, make sure you keep the good numbering when you turn the pages of the I/B. Don't change the page numbering. Keep the language integrity. **Print only what is inside the frame.**



**KALORIK**



**Waffle maker**

**Gofrera**

**Gaufrier**

**WM 36377**

**120V~60Hz 1080W (9A)**

**[www.KALORIK.com](http://www.KALORIK.com)**



Front cover page (first page)

Assembly page 1/26



Fax +1 305 430 9692

Copies of the I/B. Please reproduce them without any changes except under special instruction from Team International USA. The pages must be reproduced and folded in order to obtain a booklet A5 (+/- 148.5 mm width x 210 mm height). When folding, make sure you keep the good numbering when you turn the pages of the I/B. Don't change the page numbering. Keep the language integrity. **Print only what is inside the frame.**



# **(EN) OPERATING INSTRUCTIONS**

## **IMPORTANT SAFEGUARDS**

**When using electrical appliances, basic safety precautions should always be followed, including the following:**

### **1. READ ALL INSTRUCTIONS**

2. Check that your mains voltage corresponds to that stated on the rating plate of the appliance before using the appliance.
3. Do not touch hot surfaces. Use the handles and buttons.
4. To protect against electrical shock do not immerse cord, plug, or the appliance in water or other liquid.
5. Close supervision is necessary when the appliance is used by or near children. This appliance shall not be used by children.
6. Please keep out of reach of children and pets. This product is not intended for use by children, by persons with reduced physical, sensory or mental capabilities, or lacking experience or knowledge, unless they have been given supervision or instruction concerning the use of the product, by a person responsible for their safety. Extra caution is always necessary when using this product.
7. Unplug from outlet when not in use and before cleaning. Allow to cool before cleaning the appliance.
8. Do not operate any appliance with a damaged cord or plug or after the appliance malfunctions or has been damaged in any manner. Return appliance to the nearest authorized service facility for examination, repair, or adjustment.
9. The use of accessory attachments not recommended by the appliance manufacturer may cause injuries.
10. Do not use outdoors.
11. Do not let cord hang over edge of table or counter or touch hot surfaces.
12. Do not place on or near a hot gas or electric burner, or in a heated oven.
13. Extreme caution must be used when moving an appliance containing hot oil or other hot liquids.
14. To disconnect remove the plug from the wall outlet.
15. Do not use appliance for other than intended use.



Fax +1 305 430 9692

Copies of the I/B. Please reproduce them without any changes except under special instruction from Team International USA. The pages must be reproduced and folded in order to obtain a booklet A5 (+/- 148.5 mm width x 210 mm height). When folding, make sure you keep the good numbering when you turn the pages of the I/B. Don't change the page numbering. Keep the language integrity. **Print only what is inside the frame.**



16. When using this appliance, provide adequate airspace above and on all sides for air circulation. On surfaces where heat may cause a problem, an insulated hot pad is recommended.
17. Do not leave unit unattended during use.
18. Always use the product on a clean, flat, hard, dry surface. There should be no material such as a tablecloth or plastic between the unit and surface. A fire may occur if sandwich maker is covered or touching flammable material, including curtains, draperies, walls, and the like, when in operation.
19. It is absolutely necessary to keep this appliance clean at all times as it comes into direct contact with food.
20. Be careful not to scratch the non-stick coating of the cooking plate, as you might get little pieces of this coating into the food. If scraping is necessary, unplug the appliance and use a classical wooden spatula or a heat resistant plastic one.

## **SAVE THESE INSTRUCTIONS HOUSEHOLD USE ONLY**

### **POLARIZED PLUG INSTRUCTIONS**

This appliance is equipped with a polarized plug (one blade is wider than the other). To reduce the risk of electric shock, this plug will fit into the polarized outlet only one way. If the plug does not properly fit into the outlet at first, reverse it. If it still does not fit, contact a competent qualified electrician. **Do not attempt to modify the plug in any way.**

### **SHORT CORD INSTRUCTIONS**

A short power supply cord is provided to reduce the hazards resulting from becoming entangled in, or tripping over a longer cord.

Extension cords may be used if care is exercised in their use.

- The electrical rating of the extension cord should be at least that of the appliance. If the electrical rating of the extension cord is too low, it could overheat and burn.



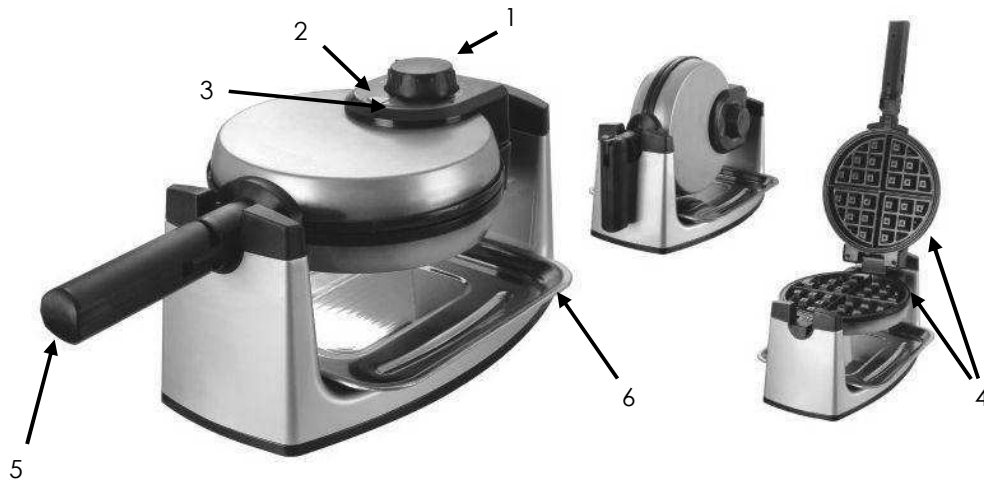
Fax +1 305 430 9692

Copies of the I/B. Please reproduce them without any changes except under special instruction from Team International USA. The pages must be reproduced and folded in order to obtain a booklet A5 (+/- 148.5 mm width x 210 mm height). When folding, make sure you keep the good numbering when you turn the pages of the I/B. Don't change the page numbering. Keep the language integrity. **Print only what is inside the frame.**



- The resulting extended cord should be arranged so that it will not drape over the counter top or tabletop where it can be pulled on by children or tripped over.

## PART DESCRIPTION



1. Thermostat adjustment knob
2. Red power light
3. Green temperature pilot light (also on the backside)
4. Baking plates
5. Foldable Handle
6. Metallic Drip tray

## OPERATION

- Protective coating burn off might generate some smoke on first use. This is NOT harmful and will disappear after a short time.
- When using for the first time, wipe the surface of the plates with a damp cloth, then dry.
- Install the drip tray on the base, under the heating unit
- Close the appliance and plug into the electrical outlet. The red power light will come on to indicate that the appliance is switched on.



Fax +1 305 430 9692

Copies of the I/B. Please reproduce them without any changes except under special instruction from Team International USA. The pages must be reproduced and folded in order to obtain a booklet A5 (+/- 148.5 mm width x 210 mm height). When folding, make sure you keep the good numbering when you turn the pages of the I/B. Don't change the page numbering. Keep the language integrity. **Print only what is inside the frame.**



- Set the thermostat to the desired position from "MIN" to "MAX" (MAX being the hottest). When the green pilot light goes on, it means that the desired temperature is reached. During use, this pilot light will come on and off regularly. This simply means that the thermostat is regulating the appliance's temperature.
- **Caution:** during operation, the baking plates heat up. Pay attention not to get burned.
- Open the appliance and lightly brush the plates with butter, margarine or cooking oil.
- Pour the batter evenly onto the middle of the bottom baking plate **but not all the way to the edges** (batter will expand while heating and would overflow). Press the lid down in order to spread the dough evenly on the baking plates. Do not overfill as dough might come out of the appliance.
- During the baking process, use the handle to turn the appliance upside down from time to time, in order to spread the batter evenly, and to bake and brown both sides of the waffles evenly (rotate the plates but turning a half turn, clockwise, then after a few minutes, counterclockwise, to spread the batter).
- **Note:** It is not possible to open the appliance in the upside-down position.
- Bake until golden brown. If necessary, adjust the temperature by turning the thermostat according to the desired browning level needed to bake, and wait until the green pilot light goes out.
- When the waffles are ready, remove them with a plastic or wooden spatula. Never use any sharp metallic objects, as this might damage the non-stick coating.
- When baking is finished, set thermostat to "off", unplug the cord from the socket and leave the appliance open to cool.



Fax +1 305 430 9692

Copies of the I/B. Please reproduce them without any changes except under special instruction from Team International USA. The pages must be reproduced and folded in order to obtain a booklet A5 (+/- 148.5 mm width x 210 mm height). When folding, make sure you keep the good numbering when you turn the pages of the I/B. Don't change the page numbering. Keep the language integrity. **Print only what is inside the frame.**



## WAFFLE RECIPES

### SHORTBREAD WAFFLES

14 tbsp. butter  
1 cup sugar  
4 eggs  
Twist of lemon  
1 ½ cup of plain flour

### YEAST WAFFLES

3 tbsp. yeast  
1 cup milk  
9 tbsp. butter  
¼ cup sugar  
6 eggs  
Twist of lemon  
Pinch of salt  
3 cups of plain flour

### TRADITIONAL WAFFLES

9 tbsp. butter  
¾ cup sugar  
Twist of lemon  
Pinch of salt  
3 eggs  
1 cup milk  
2 cups of plain flour  
1 tsp. baking powder

### CRISP WAFFLES

14 tbsp. butter  
¾ cup sugar  
4 eggs  
3 cups of plain flour  
1 tbsp. rum  
Few drops of vanilla essence  
2/3 to 3/4 cup water (not milk)

### APPLE WAFFLES

11 tbsp. butter  
1 cup sugar  
4 eggs  
1 tsp. baking powder  
2 cups of plain flour  
Pinch of salt  
Small pinch of ground cloves  
1 tsp. cinnamon  
2 apples peeled and diced



Fax +1 305 430 9692

Copies of the I/B. Please reproduce them without any changes except under special instruction from Team International USA. The pages must be reproduced and folded in order to obtain a booklet A5 (+/- 148.5 mm width x 210 mm height). When folding, make sure you keep the good numbering when you turn the pages of the I/B. Don't change the page numbering. Keep the language integrity. **Print only what is inside the frame.**



## HOW TO PREPARE A BATTER

- Combine the flour with the baking soda, salt, and sugar,
- If using, in a bowl and make a well in the center.
- Add the egg yolk and milk, and gradually, work into the flour using a whisk.
- Beat gently until smooth.
- Carefully stir in the melted butter.
- In a grease-free bowl, whisk the egg white until stiff and carefully fold into the batter using a large metal spoon.
- Please find above examples of variations of ingredients to create different kind of waffles.

## CLEANING

- Before cleaning, unplug and wait for the appliance to cool down.
- Wipe the outside with only a slightly moistened cloth ensuring that no moisture, oil or grease enters the cooling slots.
- Wipe the inside and the edges of the plate with paper towel or a soft cloth.
- Do not clean the inside or outside with any abrasive scouring pad or steel wool as this will damage the finish.
- If there is any batter backed onto the cooking plates, we would advise using vegetable oil to soften it and waiting 5 minutes before removing it.
- The drip tray can be cleaned in warm soapy water. Rinse and dry after cleaning.
- **DO NOT IMMERSE THE WAFFLE MAKER IN WATER OR ANY OTHER LIQUID.**



Fax +1 305 430 9692

Copies of the I/B. Please reproduce them without any changes except under special instruction from Team International USA. The pages must be reproduced and folded in order to obtain a booklet A5 (+/- 148.5 mm width x 210 mm height). When folding, make sure you keep the good numbering when you turn the pages of the I/B. Don't change the page numbering. Keep the language integrity. **Print only what is inside the frame.**



## WARRANTY

We suggest that you complete and return the enclosed Product Registration Card promptly to facilitate verification of the date of original purchase. However, return of the Product Registration Card is not a condition of these warranties. You can also fill out this warranty card online, at the following address: [www.KALORIK.com](http://www.KALORIK.com)

This KALORIK product is warranted in the U.S.A. for 1 year from the date of purchase against defects in material and workmanship. This warranty is not transferable. Keep the original sales receipt. Proof of purchase is required to obtain warranty performance.

During this period, if the KALORIK product, upon inspection by KALORIK, is proven defective, it will be repaired or replaced, at Kalorik's option, without charge to the customer. If a replacement product is sent, it will carry the remaining warranty of the original product.

This warranty does not apply to any defect arising from a buyer's or user's misuse of the product, negligence, failure to follow KALORIK instructions noted in the user's manual, use on current or voltage other than that stamped on the product, wear and tear, alteration or repair not authorized by KALORIK, or use for commercial purposes. There is no warranty for glass parts, glass containers, filter basket, blades and agitators, and accessories in general. There is also no warranty for parts lost by the user.

ANY WARRANTY OF MERCHANTABILITY OR FITNESS WITH RESPECT TO THIS PRODUCT IS ALSO LIMITED TO THE ONE YEAR LIMITED WARRANTY PERIOD.

Some states do not allow limitation on how long an implied warranty lasts or do not allow the exclusion of incidental or consequential damages, so the above limitations may not apply to you. This warranty gives you specific legal rights, and you may also have other rights which vary from state to state.





Fax +1 305 430 9692

Copies of the I/B. Please reproduce them without any changes except under special instruction from Team International USA. The pages must be reproduced and folded in order to obtain a booklet A5 (+/- 148.5 mm width x 210 mm height). When folding, make sure you keep the good numbering when you turn the pages of the I/B. Don't change the page numbering. Keep the language integrity. **Print only what is inside the frame.**



If the appliance should become defective within the warranty period and more than 30 days after date of purchase, do not return the appliance to the store: often, our Customer Service Representatives can help solve the problem without having the product serviced. If servicing is needed, a Representative can confirm whether the product is under warranty and direct you to the nearest service location.

If this is the case, bring the product, or send it, postage prepaid by the user (all Kalorik customers are responsible for the initial shipment back to the warranty center), along **with proof of purchase** and a **return authorization number** indicated on the outer package, given by our Customer Service Representatives. Send to the authorized KALORIK Service Center (please visit our website at [www.KALORIK.com](http://www.KALORIK.com) or call our Customer Service Department for the address of our authorized KALORIK Service Center). When sending the product, please include a letter explaining the nature of the claimed defect.

If you have additional questions, please call our Customer Service Department (please see below for complete contact information), Monday through Thursday from 9:00am - 5:00pm (EST) and Friday from 9:00am - 4:00pm (EST). Please note hours are subject to change.

If you would like to write, please send your letter to:

**KALORIK Customer Service Department**  
Team International Group of America Inc.  
1400 N.W 159th Street, Suite 102  
Miami Gardens, FL 33169 USA

Or call:

Toll Free: +1 888-521-TEAM / +1 888-KALORIK

**Only letters can be accepted at this address above. Shipments and packages that do not have a return authorization number will be refused.**



Fax +1 305 430 9692

Copies of the I/B. Please reproduce them without any changes except under special instruction from Team International USA. The pages must be reproduced and folded in order to obtain a booklet A5 (+/- 148.5 mm width x 210 mm height). When folding, make sure you keep the good numbering when you turn the pages of the I/B. Don't change the page numbering. Keep the language integrity. **Print only what is inside the frame.**



# **(SP) MANUAL DE INSTRUCCIONES CONSEJOS DE SEGURIDAD**

**Cuando use algún aparato eléctrico siempre deben seguirse precauciones básicas de seguridad incluyendo las siguientes:**

- 1. LEA TODAS LAS INSTRUCCIONES.**
2. Antes de utilizar el aparato, compruebe que el voltaje de la red eléctrica coincide con el indicado en la placa de datos técnicos del aparato.
3. No toque las superficies calientes. Utilice siempre las pegas.
4. Para protegerse contra una descarga eléctrica, no sumerja el aparato, el cable de alimentación o el enchufe en agua o en otros líquidos.
5. Es siempre necesaria la supervisión cercana cuando este aparato esté utilizado cerca de niños. Este aparato no debe ser usado por niños.
6. Manténgalo fuera del alcance de los niños y mascotas. Este producto no está destinado a ser utilizado por niños, personas con discapacidades físicas, sensoriales o mentales, o que carecen de experiencia o conocimiento, a menos que no sean supervisados o instruidos acerca del uso del producto, por una persona responsable de su seguridad. Cuando se utiliza este producto siempre es necesaria una precaución extrema.
7. Desconecte el aparato de la toma de corriente cuando la unidad no se encuentra en uso o antes de limpiarla. Deje enfriar el aparato antes de limpiarlo.
8. No opere este y ningún aparato si el cable o el enchufe están quemados o dañados, o después de que el aparato ha funcionado inadecuadamente o ha sido dañado en cualquier manera. El aparato debe ser reemplazado por el fabricante o por un centro de servicio autorizado o por una persona similar cualificada.
9. El uso de accesorios no recomendados por el fabricante pueden causar lesiones.
10. No use en exteriores
11. No permita que el cable cuelgue del borde de la mesa o del mostrador o toque las partes calientes.



Fax +1 305 430 9692

Copies of the I/B. Please reproduce them without any changes except under special instruction from Team International USA. The pages must be reproduced and folded in order to obtain a booklet A5 (+/- 148.5 mm width x 210 mm height). When folding, make sure you keep the good numbering when you turn the pages of the I/B. Don't change the page numbering. Keep the language integrity. **Print only what is inside the frame.**



12. No coloque este aparato cerca de quemadores de gas o eléctricos, o dentro de un horno caliente.
13. Tenga mucho cuidado cuando desplace un aparato lleno de aceite caliente u otros líquidos calientes.
14. Para desconectar el aparato, desenchúfelo.
15. No use este aparato más que para lo que ha sido diseñado.
16. Asegúrese de que el espacio libre alrededor del aparato esté suficiente mientras esté en funcionamiento, a fin que el aire circule bien. En las superficies donde el calor pueda causar problemas, se recomienda usar un posa-fuentes aislante.
17. No deje el aparato sin vigilancia mientras esté en uso.
18. Siempre use el producto sobre una superficie limpia, plana, dura y seca. Nunca coloque materiales como por ejemplo un mantel o un plástico entre la unidad y la superficie. Puede ocurrir un incendio si el aparato está en funcionamiento y se encuentra en contacto o cubierto con materiales inflamables, incluyendo cortinas, tapicerías, paredes, etc.
19. Es indispensable guardar el aparato limpio, ya que está en contacto directo con los alimentos.
20. Procure no rallar el revestimiento anti-adherente de la placa de cocción, ya que en caso contrario podría encontrar partículas del revestimiento en la comida. Si es necesario raspar las placas, desenchufe el aparato y utilice sólo una espátula de madera o de plástico resistente al calor.

## **GUARDE ESTAS INSTRUCCIONES SOLAMENTE PARA USO DOMESTICO**

### **INFORMACIÓN SOBRE EL ENCHUFE POLARIZADO**

Este dispositivo este equipada con un enchufe polarizado (una pata es más ancha que la otra). Para reducir el riesgo de choque eléctrico, este enchufe calza en el tomacorriente polarizado de una sola manera. Si el enchufe no cabe totalmente en el tomacorriente, gire el enchufe. Si aun así no calza, consulte a un servicio técnico cualificado. **No intente anular esta característica de seguridad.**



Fax +1 305 430 9692

Copies of the I/B. Please reproduce them without any changes except under special instruction from Team International USA. The pages must be reproduced and folded in order to obtain a booklet A5 (+/- 148.5 mm width x 210 mm height). When folding, make sure you keep the good numbering when you turn the pages of the I/B. Don't change the page numbering. Keep the language integrity. **Print only what is inside the frame.**

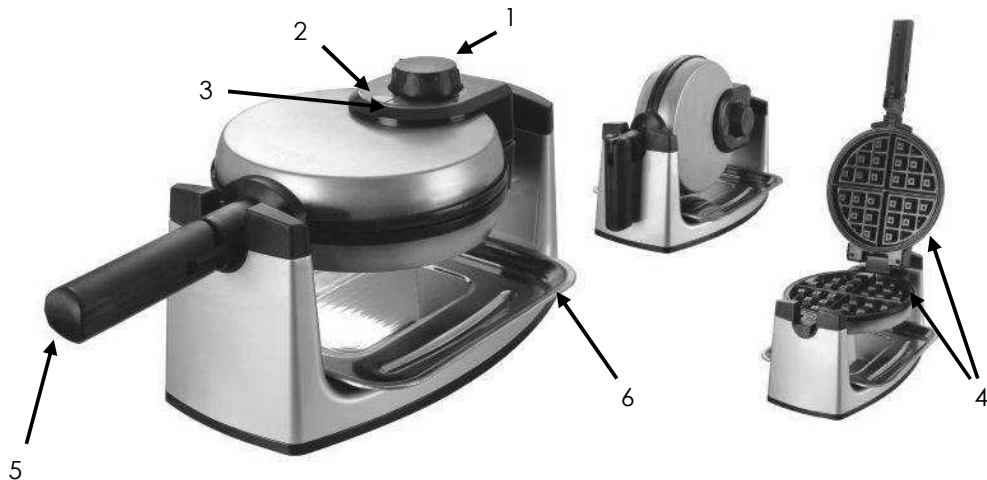


## INSTRUCCIONES DEL CABLE

El cable de alimentación del aparato es un cable corto a fin de disminuir el riesgo de accidentes (caídas al tropezar con él, etc.) Puede utilizar una extensión si es necesaria.

- Asegúrese de que el nivel eléctrico del cable es igual o mayor que el indicado. Una extensión con un bajo nivel eléctrico conllevaría el riesgo de sobrecalentarse y de estropearse.
- Para evitar riesgos coloque el cable de forma tal que los niños no puedan jalarlo o tropezar con él.

## PARTES



1. Termostato
2. Testigo luminoso de funcionamiento
3. Testigo luminoso de temperatura
4. Placas de cocción
5. Asa
6. Bandeja de goteo



Fax +1 305 430 9692

Copies of the I/B. Please reproduce them without any changes except under special instruction from Team International USA. The pages must be reproduced and folded in order to obtain a booklet A5 (+/- 148.5 mm width x 210 mm height). When folding, make sure you keep the good numbering when you turn the pages of the I/B. Don't change the page numbering. Keep the language integrity. **Print only what is inside the frame.**



## MODO DE EMPLEO

- La primera vez que se enchufa, hace humo y huele. Esto es normal, puesto que en su fabricación se pueden haber adherido grasas que se estén quemando. No está peligroso y desaparecerá rápidamente.
- Cuando utilice el aparato por primera vez, páselo con un paño humedecido y séquelo.
- Instale la bandeja de goteo en la base, debajo de la unidad de calefacción
- Cierre el aparato y enchufe la clavija a la red eléctrica. El testigo luminoso rojo se encenderá indicando que el aparato está en funcionamiento.
- Regule el termostato en la posición deseada entre "MIN" y "MAX" (siendo MAX la más alta). Cuando el testigo luminoso verde se enciende, indica que la temperatura deseada está alcanzada. Durante el funcionamiento ese testigo luminoso irá enciendo y apagándose regularmente. Ello indica sólo que el termostato está regulando la temperatura del aparato.
- Atención: Durante la utilización, las placas se calientan. Téngalo en cuenta para evitar quemaduras.
- Abra el aparato y unte las placas con un poco de mantequilla, margarina o aceite.
- Eche la mezcla en las placas inferiores pero no en los lados y cierre el aparato (La masa se expandirá durante el calentamiento y sino de los lados libres la masa desbordará). Comprueba que la mezcla esté repartida de manera uniforme. No ponga demasiada mezcla para que no salga por los lados.
- Durante la cocción, dé la vuelta de vez en cuando al aparato para repartir la masa de manera uniforme y para cocer y dorar ambos lados del gofre.
- Deje cocer hasta obtener una gofre dorada. Si necesario, ajuste la temperatura girando el termostato dependiendo del nivel de dorado deseado y espere hasta que el testigo verde se apague.
- Cuando las gofres estén cocidas, retírelas de la placa con una espátula de madera o de plástico. No utilice nunca objetos metálicos que podrían dañar el revestimiento antiadherente.
- Al final de la cocción, ponga el termostato en posición "off", desenchufe la clavija de la toma de corriente y deje el aparato abierto para que enfríe.



Fax +1 305 430 9692

Copies of the I/B. Please reproduce them without any changes except under special instruction from Team International USA. The pages must be reproduced and folded in order to obtain a booklet A5 (+/- 148.5 mm width x 210 mm height). When folding, make sure you keep the good numbering when you turn the pages of the I/B. Don't change the page numbering. Keep the language integrity. **Print only what is inside the frame.**



## RECETAS DE GOFRES

### GOFRES "POLVORON"

½ lb de mantequilla  
½ lb de azúcar  
4 huevos  
Rodaja de limón  
½ lb de harina

### GOFRES DE LEVADURA

0.8 oz de levadura  
8.5 fl. oz. de leche  
¼ lb de mantequilla  
1.7 lb de azúcar  
6 huevos  
Rodaja de limón  
Pizca de sal  
0.8 lb de harina

### GOFRES TRADICIONALES

¼ lb de mantequilla  
1/3 lb de azúcar  
Rodaja de limón  
Pizca de sal  
3 huevos  
8.5 fl. oz. de leche  
½ lb de harina  
1 cucharadita de levadura  
química

### GOFRES CRUJIENTES

½ lb de mantequilla  
1/3 lb de azúcar  
4 huevos  
¾ lb de harina  
1 cucharadita de ron  
Algunas gotas de esencia de  
vainilla  
5-7 fl. oz. de agua (non leche)

### GOFRES DE MANZANA

1/3 lb de mantequilla  
0.4 lb de azúcar  
4 huevos  
1 cucharadita de levadura  
química  
½ lb de harina  
Pizca de sal  
Una pequeña pizca de clavos  
1 cucharadita de canela  
2 manzanas peladas y  
cortadas en dados



Fax +1 305 430 9692

Copies of the I/B. Please reproduce them without any changes except under special instruction from Team International USA. The pages must be reproduced and folded in order to obtain a booklet A5 (+/- 148.5 mm width x 210 mm height). When folding, make sure you keep the good numbering when you turn the pages of the I/B. Don't change the page numbering. Keep the language integrity. **Print only what is inside the frame.**



## PREPARACIÓN DE LA PASTA PARA GOFRES

- Mezclar la harina con la levadura, la sal y el azúcar.
- En la mezcla, hacer un espacio en el centro y añadir las yemas de huevo.
- Añadir poco a poco la leche y vaya mezclándola con la harina con la ayuda de una espátula.
- Mezclar hasta que la pasta sea lisa y suave.
- Añadir lentamente la mantequilla derretida.
- En otro tazón/recipiente no aceitado, batir las claras hasta hacer clara de nieve, y agréguela a la preparación utilizando una cuchara grande de metal o un mezclador de cocina.
- Más arriba le presentamos variantes y otros ingredientes que le ayudarán a crear diferentes tipos de gofres.

## LIMPIEZA

- Desenchufe y deje enfriar el aparato antes de limpiarlo.
- Limpie el exterior del aparato con un paño ligeramente humedecido, asegurándose de que no haya humedad, aceite o grasa que se infiltre en las aeraciones que enfrían el aparato.
- Limpie el interior de su aparato con un papel absorbente o un trapo suave.
- No limpie nunca su aparato (exterior o interior) con productos abrasivos ya que estropearía el revestimiento.
- Si queda masa cocida en la placa, aconsejamos que utilice aceite vegetal para ablandarla y espere 5 minutos antes de quitarla.
- **NO SUMERJA EL APARATO EN AGUA NI EN NINGÚN OTRO LIQUIDO.**



Fax +1 305 430 9692

Copies of the I/B. Please reproduce them without any changes except under special instruction from Team International USA. The pages must be reproduced and folded in order to obtain a booklet A5 (+/- 148.5 mm width x 210 mm height). When folding, make sure you keep the good numbering when you turn the pages of the I/B. Don't change the page numbering. Keep the language integrity. **Print only what is inside the frame.**



## GARANTÍA

Le sugerimos rellenen y nos envíen rápidamente la Tarjeta de Registro de Producto adjunta para facilitar la verificación de la fecha de compra. Por lo tanto, la devolución de esa Tarjeta de Registro de Producto no es una condición imprescindible para la aplicación de esa garantía. Puede también rellenar dicha tarjeta de garantía en línea en la dirección siguiente: [www.KALORIK.com](http://www.KALORIK.com)

A partir de la fecha de compra, este producto KALORIK está garantizado un año contra los defectos materiales y de fabricación, en los Estados Unidos. Esta garantía no es transferible. Conserve la prueba de compra original. Se exige una prueba de compra para obtener la aplicación de la garantía.

Durante este período, si el producto KALORIK después de una inspección por parte de KALORIK, se manifiesta defectuoso, será reparado o reemplazado, según lo que decida KALORIK, sin gastos para el consumidor. Si se envía un producto de reemplazo, se aplicará la garantía que queda del producto original.

Esta garantía no se aplica a los defectos causados por una mala utilización por parte del comprador o del usuario, o una negligencia al no respeto del manual de instrucciones KALORIK, o una utilización en un circuito eléctrico cuyo voltaje es diferente al que figura en el producto, o un desgaste normal, o modificaciones o reparaciones no autorizadas por KALORIK, o por un uso con fines comerciales. No existe garantía por las partes de cristal, jarras de cristal, filtros, cestos, cuchillas y accesorios en general. No existe tampoco garantía por las piezas perdidas por el usuario.

Toda garantía de valor comercial o de adaptabilidad a este producto está limitada a un año también.

Algunos estados no ponen límites a la duración de la garantía tácita o no autorizan la exclusión de daños y perjuicios accesorios o indirectos, por lo que puede que las restricciones anteriormente mencionadas no le sean aplicables a Usted. Esta garantía le otorga derechos legales particulares, pero usted puede tener también otros





Fax +1 305 430 9692

Copies of the I/B. Please reproduce them without any changes except under special instruction from Team International USA. The pages must be reproduced and folded in order to obtain a booklet A5 (+/- 148.5 mm width x 210 mm height). When folding, make sure you keep the good numbering when you turn the pages of the I/B. Don't change the page numbering. Keep the language integrity. **Print only what is inside the frame.**



derechos que varían de un estado a otro y algunos derechos pueden variar de un estado a otro.

Si el aparato tuviera un defecto durante el periodo de garantía y / o más de 30 días después de que se compró, no devuelva el aparato en la tienda donde le compró: a menudo, nuestro Servicio al Consumidor puede ayudar a resolver el problema sin que el producto tenga que ser reparado. Si hace falta una reparación, uno de nuestros representantes puede confirmar si el producto está bajo garantía y dirigirle al servicio post-venta más próximo.

Si fuera el caso, traiga el producto (o envíelo, correctamente franqueado) con la **prueba de compra** que mencione **el número de autorización de devolución** indicado por nuestro Servicio al Consumidor, al servicio post-venta KALORIK más próximo. (Visite nuestra web [www.KALORIK.com](http://www.KALORIK.com) o llame al Servicio al Consumidor para obtener la dirección del Servicio post-venta KALORIK exclusivo más próximo).

Si envía el producto, le rogamos añadan una carta explicando la naturaleza del defecto.

Si tiene preguntas adicionales, por favor llame al Servicio al Consumidor (véase abajo para los datos completos), de lunes a jueves, de las 9:00 a las 17:00 (EST), y el viernes de las 9:00 a las 16:00 (EST). Note que las horas pueden ser modificadas.

Si quiere escribirnos, puede hacerlo a la dirección siguiente:

**KALORIK Servicio al Consumidor**

Team International Group of America Inc.  
1400 N.W 159th Street, Suite 102  
Miami Gardens, FL 33169 USA

O llame gratuitamente (U.S.A.) al +1 888-521-TEAM / +1 888-KALORIK

**Las cartas se aceptan solamente en la dirección anteriormente mencionada. Los envíos y paquetes que no tengan número de autorización de devolución serán rechazados.**



Fax +1 305 430 9692

Copies of the I/B. Please reproduce them without any changes except under special instruction from Team International USA. The pages must be reproduced and folded in order to obtain a booklet A5 (+/- 148.5 mm width x 210 mm height). When folding, make sure you keep the good numbering when you turn the pages of the I/B. Don't change the page numbering. Keep the language integrity. **Print only what is inside the frame.**



## **(FR) MODE D'EMPLOI CONSIGNES DE SECURITE**

**Pour utiliser un appareil électrique, des précautions élémentaires sont à respecter, telles que celles énumérées ci-dessous :**

- 1. LISEZ L'ENSEMBLE DES INSTRUCTIONS.**
2. Avant d'utiliser l'appareil, vérifiez que la tension du réseau correspond bien à celle notée sur la plaque signalétique.
3. Ne touchez pas les surfaces chaudes. Manipulez les poignées et les boutons.
4. Pour écarter les risques d'électrocution, n'immergez pas le cordon, la fiche ou l'appareil dans l'eau ou dans tout autre liquide.
5. Faites particulièrement attention lorsque l'appareil est utilisé par ou en présence d'enfants. L'appareil n'est pas conçu pour être utilisé par des enfants.
6. Gardez hors de portée des enfants et animaux domestiques. Cet appareil n'est pas conçu pour être utilisé par des enfants, ou des personnes aux facultés mentales ou motrices réduites, ou sans expérience, à moins que ceux-ci ne soient supervisés ou aient été formés à l'usage de ce produit, par une personne responsable de leur sécurité. Faites particulièrement attention en utilisant cet appareil.
7. Débranchez l'appareil de la prise murale lorsqu'il n'est pas utilisé ou avant de le nettoyer. Laissez refroidir avant de le nettoyer.
8. Ne faites pas fonctionner l'appareil si son cordon ou sa fiche est endommagé ou si l'appareil a présenté un dysfonctionnement ou est endommagé. Retournez l'appareil au centre de service agréé pour le faire vérifier ou réparer.
9. L'utilisation d'accessoires non recommandés par le fabricant présente des risques d'incendie, d'électrocution ou de blessure.
10. N'utilisez pas l'appareil à l'extérieur.
11. Ne laissez pas le cordon pendre de la table ou d'un comptoir et évitez qu'il touche une surface chaude.
12. Ne placez pas l'appareil sur ou près d'un brûleur à gaz ou électrique ou dans un four chaud.
13. Soyez extrêmement prudent lorsque vous déplacez un appareil contenant de l'huile chaude ou d'autres liquides chauds.



Fax +1 305 430 9692

Copies of the I/B. Please reproduce them without any changes except under special instruction from Team International USA. The pages must be reproduced and folded in order to obtain a booklet A5 (+/- 148.5 mm width x 210 mm height). When folding, make sure you keep the good numbering when you turn the pages of the I/B. Don't change the page numbering. Keep the language integrity. **Print only what is inside the frame.**



14. Pour déconnecter l'appareil, débranchez-le.
15. N'utilisez pas cet appareil à des fins autres que celles pour lesquelles il est conçu.
16. Assurez-vous qu'il y ait assez d'espace libre autour de l'appareil lorsqu'il est en fonctionnement afin qu'il y ait suffisamment de circulation l'air. Si vous utilisez l'appareil sur une surface où la chaleur pose problème, il est conseillé de placer un support thermorésistant sous l'appareil.
17. Ne laissez pas l'appareil sans surveillance lorsqu'il est en fonctionnement.
18. Utilisez toujours l'appareil sur une surface propre, plane, dure et sèche. Assurez-vous qu'il n'y ait pas de matériaux tels qu'une nappe ou du plastique entre l'appareil et la surface sur laquelle il est posé. Veillez à ce que l'appareil ne rentre pas en contact avec des matériaux facilement inflammables comme les rideaux, les tissus,... lorsqu'il est en fonctionnement car le feu pourrait se déclarer.
19. Il est indispensable de garder cet appareil propre étant donné qu'il est en contact direct avec la nourriture.
20. Veillez à ne pas griffer le revêtement antiadhésif des plaques de cuisson car il perdrait alors son caractère antiadhésif. S'il est nécessaire de gratter les plaques, utilisez une spatule en bois classique ou en plastique spécialement étudié pour résister à la chaleur.

## **CONSERVEZ CES INSTRUCTIONS USAGE DOMESTIQUE UNIQUEMENT**

### **INSTRUCTIONS POUR LES FICHES POLARISÉES**

Cet appareil est équipé d'une prise polarisée (une des deux tiges métalliques est plus longue que l'autre). Pour réduire le risque de choc électrique, cette prise ne peut être introduite que d'une seule façon dans la fiche murale. Si cette prise ne rentre pas correctement dans la fiche, retournez-la. Si elle ne rentre toujours pas, contactez un électricien qualifié et reconnu. **N'essayez jamais de modifier vous-même la prise polarisée.**



Fax +1 305 430 9692

Copies of the I/B. Please reproduce them without any changes except under special instruction from Team International USA. The pages must be reproduced and folded in order to obtain a booklet A5 (+/- 148.5 mm width x 210 mm height). When folding, make sure you keep the good numbering when you turn the pages of the I/B. Don't change the page numbering. Keep the language integrity. **Print only what is inside the frame.**

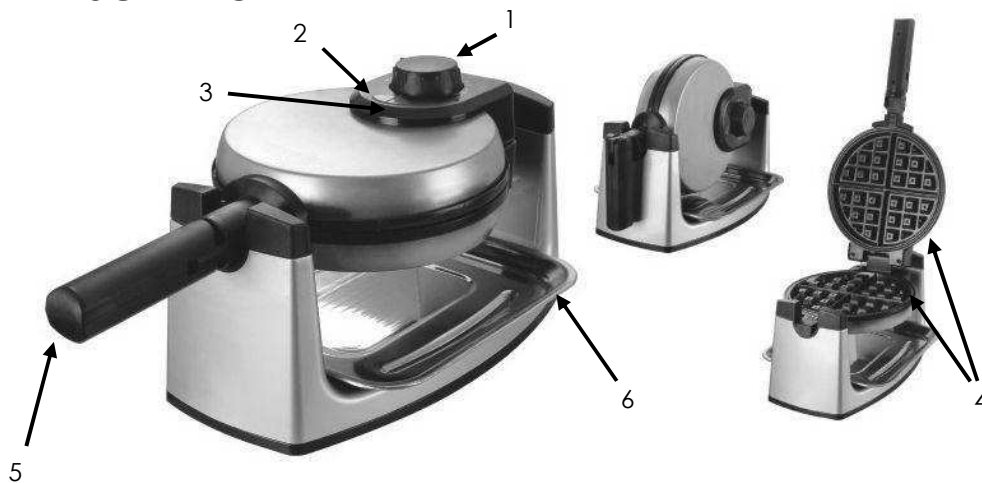


## CONSIGNES CONCERNANT LE CORDON

Le cordon d'alimentation de l'appareil est un cordon de type court, et ce afin de diminuer les risques d'accidents (chute si vous marchez sur le cordon...). Vous pouvez toutefois utiliser une rallonge si nécessaire mais:

- Assurez-vous que l'ampérage de la rallonge soit égal ou supérieur à celui de l'appareil. Une rallonge avec un ampérage inférieur à celui de l'appareil risquerait de surchauffer et de brûler.
- La rallonge ne doit pas pendre du plan de travail ou de la table afin d'éviter que les enfants ne le tirent ou trébuchent.

## DESCRIPTION



1. Thermostat / ajustement de la température
2. Témoin lumineux rouge de fonctionnement
3. Témoin lumineux vert de température (également sur la face opposée)
4. Plaques de cuisson
5. Poignée pliante
6. Plaque ramasse-gouttes métallique



Fax +1 305 430 9692

Copies of the I/B. Please reproduce them without any changes except under special instruction from Team International USA. The pages must be reproduced and folded in order to obtain a booklet A5 (+/- 148.5 mm width x 210 mm height). When folding, make sure you keep the good numbering when you turn the pages of the I/B. Don't change the page numbering. Keep the language integrity. **Print only what is inside the frame.**



## UTILISATION

- Lors de la première utilisation la couche antiadhésive peut produire de la fumée. Celle-ci n'est pas nocive et s'estompera rapidement.
- Lorsque vous utilisez votre appareil pour la première fois, essuyez-le d'abord avec un chiffon humide, puis séchez-le.
- Mettez la plaque ramasse-gouttes en place, sous la partie chauffante.
- Fermez votre appareil et branchez la fiche de votre appareil dans la prise de courant. Le témoin lumineux rouge s'allume, vous indiquant ainsi que l'appareil est sous tension.
- Mettez le thermostat sur la position désirée, de « MIN » à « MAX » (« MAX » étant la position maximum). Lorsque le témoin lumineux vert s'allume, cela signifie que la température désirée est atteinte. Pendant l'utilisation, ce témoin lumineux s'éteindra et se rallumera régulièrement. Cela signifie simplement que le thermostat régule la température de l'appareil.
- **Attention** : pendant l'utilisation, les plaques deviennent chaudes. Faites attention de ne pas vous brûler.
- Ouvrez entièrement l'appareil et enduisez légèrement les plaques de cuisson de matière grasse telle que du beurre, de la margarine ou toute autre huile de cuisson.
- Déposez la pâte au centre de la plaque du bas, de façon à ce qu'elle se répartisse équitablement dans tous les interstices puis fermez l'appareil. Ne mettez pas trop de pâte sinon celle-ci risque de déborder sur les côtés.
- Pendant la cuisson, utilisez la poignée pour retourner l'unité chauffante de temps en temps, afin de bien répartir la pâte et le cuire uniformément. (retourner les plaques en tournant un demi-tour, dans le sens des aiguilles d'une montre, et après quelques minutes, un autre demi-tour dans le sens contraire).
- **Note** : il n'est pas possible d'ouvrir l'appareil quand les plaques sont dans la position inversée.
- Faites cuire selon vos goûts, en général quand la gaufre est dorée. Si nécessaire, ajustez la température en tournant le thermostat dans la direction nécessaire en fonction de la cuisson désirée et attendez que le témoin vert s'éteigne.



Fax +1 305 430 9692

Copies of the I/B. Please reproduce them without any changes except under special instruction from Team International USA. The pages must be reproduced and folded in order to obtain a booklet A5 (+/- 148.5 mm width x 210 mm height). When folding, make sure you keep the good numbering when you turn the pages of the I/B. Don't change the page numbering. Keep the language integrity. **Print only what is inside the frame.**



- Quand la gaufre est prête, retirez-la avec une spatule en plastique ou en bois. N'utilisez pas d'objets pointus ou métalliques car ceux-ci pourraient abîmer le revêtement des plaques.
- Lorsque vous avez terminé d'utiliser l'appareil, réglez le thermostat sur la position minimum, débranchez-le et laissez-le ouvert afin que les plaques puissent refroidir.

## RECETTES

### GAUFRES SABLEES

200 g de beurre  
200 g de sucre  
4 œufs  
1 zeste de citron  
200 g de farine

### GAUFRES À LEVURE

25 g de levure de bière  
¼ l de lait  
125 g de beurre  
50 g de sucre  
6 œufs  
1 zeste de citron  
1 pincée de sel  
375 g de farine

### GAUFRES TRADITIONNELLES

125 g de beurre  
150 g de sucre  
1 zeste de citron  
1 pincée de sel  
3 œufs  
¼ l de lait  
250 g de farine  
1 c. à c. de levure

### GAUFRES CROUSTILLANTES

200 g de beurre  
150 g de sucre  
4 œufs  
350 g de farine  
1 c. à s. de rhum  
1 sachet de sucre vanillé  
1 sachet de levure  
150-200 ml d'eau (pas de lait)

### GAUFRES AUX POMMES

150 g de beurre  
250 g de sucre  
4 œufs  
½ c. à c. de sel  
250 g de maïzena  
1 c. à c. de levure  
1 petite pincée de clous de girofle moulus  
1 pincée de cannelle  
2 pommes épluchées et coupées en petits cubes



Fax +1 305 430 9692

Copies of the I/B. Please reproduce them without any changes except under special instruction from Team International USA. The pages must be reproduced and folded in order to obtain a booklet A5 (+/- 148.5 mm width x 210 mm height). When folding, make sure you keep the good numbering when you turn the pages of the I/B. Don't change the page numbering. Keep the language integrity. **Print only what is inside the frame.**



## PREPARATION DE LA PATE A GAUFRE

- Mélangez la farine avec la poudre à lever, le sel et le sucre.
- Si vous utilisez un bol mélangeur, faite une fontaine au centre, et ajoutez les jaunes d'œuf.
- Petit à petit, ajoutez le lait. En l'incorporant avec la farine à l'aide d'une spatule.
- Mélanger jusqu'à l'obtention d'une pâte bien lisse.
- Ajouter lentement le beurre fondu.
- Dans un autre bol non-huilé, battez les blancs en neige, ajoutez les ensuite à la préparation en utilisant une large cuiller en métal ou un fouet.
- Vous trouverez ci-dessus des variations et d'autres ingrédients qui vous permettront de créer différents types de gaufres.

## NETTOYAGE

- Veuillez retirer la fiche de la prise de courant et attendre que l'appareil et les plaques refroidissent totalement avant de les nettoyer.
- Essuyez l'extérieur de l'appareil à l'aide d'un chiffon légèrement humide, en vous assurant que l'humidité, l'huile ou la graisse ne s'infilte pas dans les aérations de refroidissement de l'appareil.
- Essuyez l'intérieur et les angles de l'appareil à l'aide de papier absorbant ou d'un chiffon doux.
- Ne nettoyez jamais votre appareil (extérieur et intérieur) à l'aide de produits abrasifs car cela abîmerait le revêtement.
- Si de la pâte est difficile à enlever des plaques, il est conseillé de verser un peu d'huile végétale dessus et d'attendre 5 minutes avant de l'enlever.
- La plaque ramasse-gouttes peut être lavée dans de l'eau chaude savonneuse. Rincez et séchez après le nettoyage.
- **N'IMMERGEZ PAS L'APPAREIL DANS L'EAU OU TOUT AUTRE LIQUIDE.**



Fax +1 305 430 9692

Copies of the I/B. Please reproduce them without any changes except under special instruction from Team International USA. The pages must be reproduced and folded in order to obtain a booklet A5 (+/- 148.5 mm width x 210 mm height). When folding, make sure you keep the good numbering when you turn the pages of the I/B. Don't change the page numbering. Keep the language integrity. **Print only what is inside the frame.**



## GARANTIE

Nous vous suggérons de remplir et de nous renvoyer rapidement la Carte d'Enregistrement Produit ci-jointe afin de faciliter la vérification de la date d'achat. Cependant, le renvoi de la Carte d'Enregistrement Produit n'est pas une condition indispensable à l'application de la présente garantie. Vous pouvez aussi remplir cette carte de garantie en ligne à l'adresse suivante : **[www.KALORIK.com](http://www.KALORIK.com)**.

A compter de la date d'achat, ce produit KALORIK est garanti un an, sur le territoire des Etats-Unis, contre les défauts matériels et de fabrication. Cette garantie n'est pas transférable. Conservez la preuve d'achat originelle. Une preuve d'achat est exigée pour obtenir l'application de la garantie.

Durant cette période, le produit KALORIK qui, après inspection par KALORIK, s'avère défectueux, sera réparé ou remplacé, au choix de KALORIK, sans frais pour le consommateur. Si un produit de remplacement est envoyé, c'est la garantie restante du produit originel qui s'appliquera.

La présente garantie ne s'applique pas aux défauts dus à une mauvaise utilisation de la part de l'acheteur ou de l'utilisateur, à une négligence, au non-respect des consignes du manuel d'utilisation KALORIK, à une utilisation sur un circuit électrique au voltage différent de celui renseigné sur le produit, à une usure normale, à des modifications ou réparations non autorisées par KALORIK, ou par un usage à des fins commerciales. Il n'existe pas de garantie pour les parties en verre, récipients en verre, filtres, paniers, lames et accessoires en général. Il n'existe également pas de garantie pour les pièces perdues par l'utilisateur.

Toute garantie de valeur commerciale ou d'adaptabilité à ce produit est également limitée à la garantie d'un an.

Certains états ne limitent pas la longueur de la garantie tacite ou n'autorisent pas l'exclusion de dommages-intérêts accessoires ou indirects, les restrictions ci-dessus peuvent donc ne pas s'appliquer à





Fax +1 305 430 9692

Copies of the I/B. Please reproduce them without any changes except under special instruction from Team International USA. The pages must be reproduced and folded in order to obtain a booklet A5 (+/- 148.5 mm width x 210 mm height). When folding, make sure you keep the good numbering when you turn the pages of the I/B. Don't change the page numbering. Keep the language integrity. **Print only what is inside the frame.**



vous. Cette garantie vous donne des droits légaux particuliers, et certains droits peuvent varier d'un état à l'autre.

Si l'appareil devait présenter un défaut durant la période de garantie et plus de 30 jours après l'achat, ne ramenez pas l'appareil au magasin : souvent, notre Service Clientèle peut aider à résoudre le problème sans que le produit ne doive être réparé. Si une réparation est nécessaire, un représentant peut confirmer si le produit est sous garantie et vous rediriger vers notre centre de réparation.

Le cas échéant, ramenez le produit (ou envoyez-le, dûment affranchi), ainsi qu'**une preuve d'achat**, en mentionnant **le numéro d'autorisation de retour**, indiqué par notre service clientèle, au service après-vente KALORIK agréé (visitez notre site internet **[www.KALORIK.com](http://www.KALORIK.com)** ou appelez notre département Service Clientèle pour obtenir l'adresse du service après-vente KALORIK agréé).

Si vous envoyez le produit, veuillez y joindre une lettre expliquant la nature du défaut.

Si vous avez des questions complémentaires, veuillez appeler notre département Service Clientèle (voyez plus bas pour les coordonnées complètes), du Lundi au Jeudi de 9h à 17h (EST) et le Vendredi de 9h à 16h (EST). Veuillez noter que les heures sont sujettes à modification.

Si vous souhaitez nous écrire, adressez votre courrier à:

**KALORIK Customer Service Department**

Team International Group of America Inc.  
1400 N.W 159th Street, Suite 102  
Miami Gardens, FL 33169 USA

Ou appelez (Gratuitement des Etats-Unis): +1 888-521-TEAM ou +1 888-KALORIK.

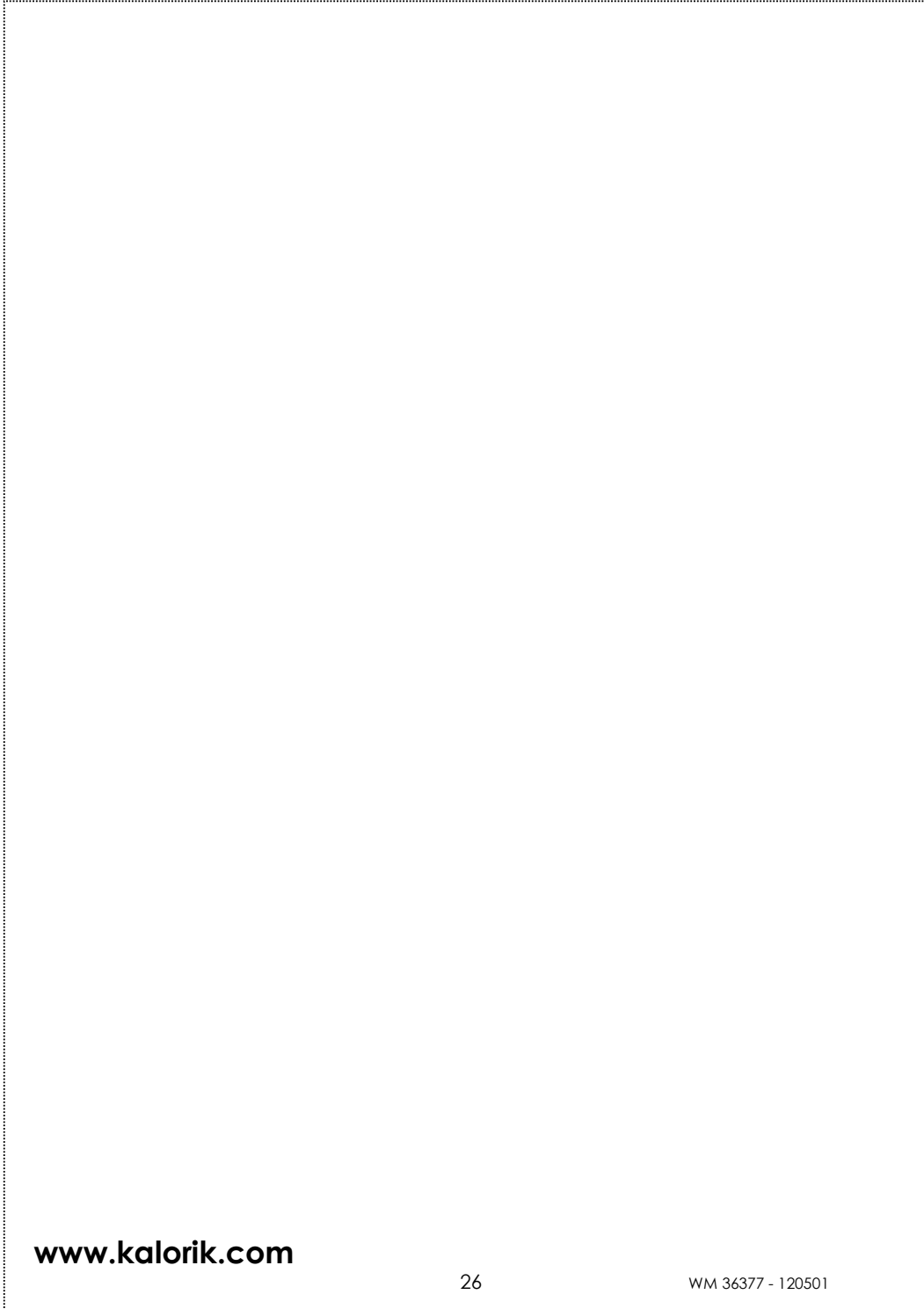
**Seules les lettres seront acceptées à l'adresse ci-dessus. Les envois et colis n'ayant pas de numéro d'autorisation de retour seront refusés.**





Fax +1 305 430 9692

Copies of the I/B. Please reproduce them without any changes except under special instruction from Team International USA. The pages must be reproduced and folded in order to obtain a booklet A5 (+/- 148.5 mm width x 210 mm height). When folding, make sure you keep the good numbering when you turn the pages of the I/B. Don't change the page numbering. Keep the language integrity. **Print only what is inside the frame.**



[www.kalorik.com](http://www.kalorik.com)

26

WM 36377 - 120501



Back cover page (last page)

Assembly page 26/26